



ACS-2 & 3

AUXILIARY CONDENSATE OVERFLOW SAFETY SWITCH



Features

- Easy to install, inspect and maintain
- Compact design mounts to side of A/C condensate drain pans
- Detects high condensate levels in drain pans and shuts off the system
- Can be installed to activate audible or visual alarm circuitry
- UR/cCSA listed, complies with applicable building codes
- Operation:
 - ACS-2 — 48 VAC/VDC max, 5 amps max
 - ACS-3 — 125-250 VAC max, 11 amps max, up to 1/3 HP
- Lead wires:
 - ACS-2 — 18" and 72" leads
 - ACS-3 — 72" leads

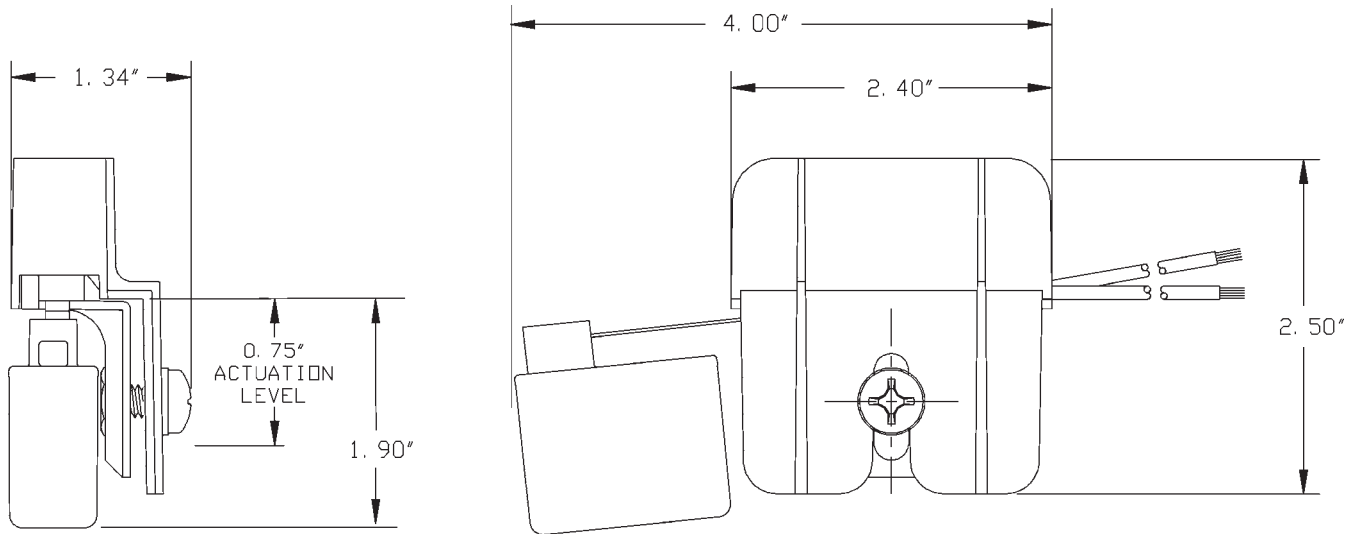


The ACS-2 & 3, Auxiliary Condensate Overflow Safety Switches, install in the condensate drain pan of an air conditioning or refrigeration unit, to shut off the unit if the condensate level in the drain pan approaches overflow.

Little Giant Pump Co.

ACS-2 & 3

AUXILIARY CONDENSATE OVERFLOW SAFETY SWITCH



Specifications

| Item No. | Model No. | Cert. | Volts | Amps | HP | Lead Length | Master Qty. | Weight (lbs.) |
|----------|-----------|---------|------------|---------|----------|-------------|-------------|---------------|
| 599122 | ACS-2 | UR/cCSA | 48V AC/DC | 5 max. | — | 18" | 24 | .21 |
| 599123 | ACS-2 | UR/cCSA | 48V AC/DC | 5 max. | — | 72" | 24 | .29 |
| 599124 | ACS-3 | UR/cCSA | 125-250VAC | 11 max. | 1/3 max. | 72" | 24 | .29 |

Little Giant Pump Co.

PO Box 12010 • Oklahoma City, OK 73157

Phone: 800.701.7894 • Fax: 800.701.8046

E-mail: customerservice@littlegiant.com